

# Brass: Birmingham

## Box organiser plans

Designed by Gerard Ninnés

October 2020

Manual v1

Design v4

# Introduction

If you hate spending ages setting up this fantastic game, then this insert might be for you. The biggest time-saver is afforded by the player caddies, but the rest of the trays will also speed up set up and tear down.

This insert houses all game components from the standard version of the game (ie: no deluxe components). It does comfortably support sleeved cards, and the box lid will still shut completely.

Each tray design comes with an optional template print that indicates what items go in what tray. You can choose to affix those templates to your tray floors to make it easier to know what goes where when it comes time to pack up.

## Materials required

You will need:

- 5mm foam core.
- box cutter
- exacto knife

Because the 5mm foam core I'm using is actually 6mm (including the paper on either side of the foam) I've allowed for 6mm in all places.

**Tip:** For some extra flare you could find some foamcore that comes in the colours of the 4 players.

I like to design things that slot in together, rather than butting up against each other. I find it makes assembly easier, and stronger. However the slicing is a touch fiddly. This is most seen in the player caddy.

## Instructions

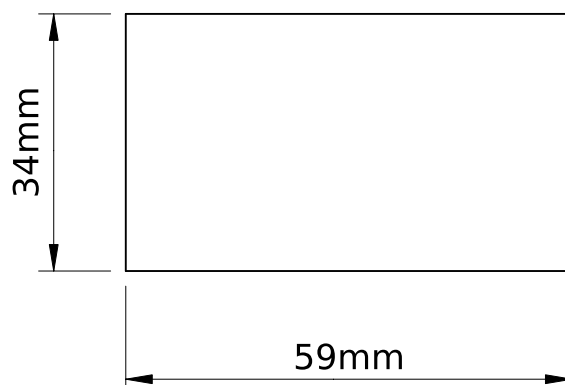
This guide is designed to be printed out, with the plans being used as cutting stencils. Do not print the plans from page 4 onwards double sided.

Using the plans as stencils only works if you have printed at 100% on A4 paper with no scaling.

To be sure you have printed with no scaling, please check the sample sizing below and measure the lines with a ruler to ensure they are the lengths indicated.

Usually the options for scaling the printout are in the print properties of your PDF software.

### Sample sizing



# Index of trays to contstruct

Player caddy x 4	.....	page 4
Coal and iron cube trays	.....	page 6
Money tray	.....	page 8
Beer token tray	.....	page 10
Merchant token tray	.....	page 11
Card tray	.....	page 12

## Getting in touch or requesting fixes

Want to get in touch or request a fix to this document or the plans?

Would you like access to the raw files to make an adjustment yourself?

Go to my project page, and lodge an issue request, or download the raw files. All applications used to create this are free and documented on my project page.

[http://gitea.gerardninn.es.id.au/Board\\_game\\_related/Insert\\_for\\_Brass\\_Birmingham](http://gitea.gerardninn.es.id.au/Board_game_related/Insert_for_Brass_Birmingham)

Alternatively, scan the QR Code below:



# Player caddy

This is the most complex tray. For this tray I have suggested some build steps for you to follow below.

## How to use this caddy

This caddy will contain all the player's game tokens, and has a recessed area for the player token that shows the character you're playing as. It is intended that each industry group will be stacked in reverse order with the black-side facing up.

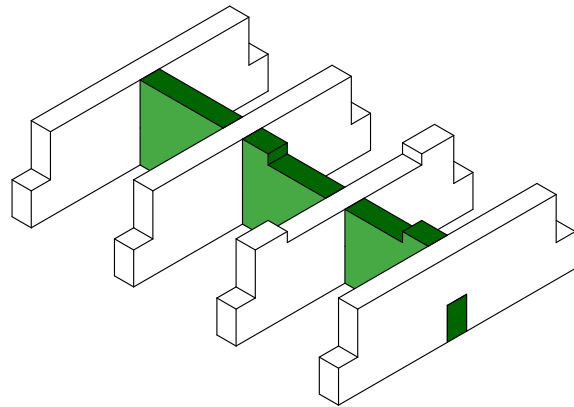
To set up a player board, first remove the character token, then cover the caddy with with your player board, flip the caddy and player board over, then remove the caddy to reveal 6 stacks ready to deploy on your player board.

## Construction steps

### Step 1

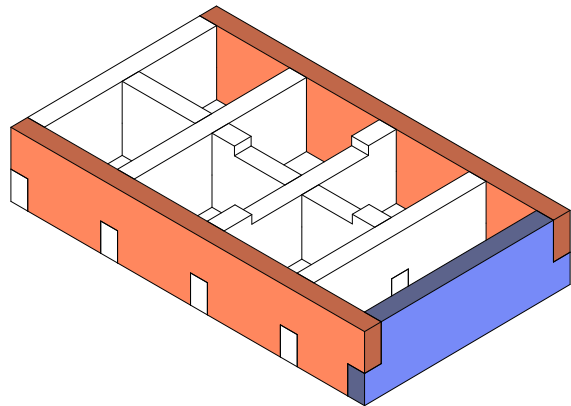
Take the long divider (A) (shaded in the diagram), and glue in place all the shorter parts (B and C) that have a small notch in the wider side.

Note one of the shorter parts (C) has the character token depression in it. Look at diagram to see correct placement.



### Step 2

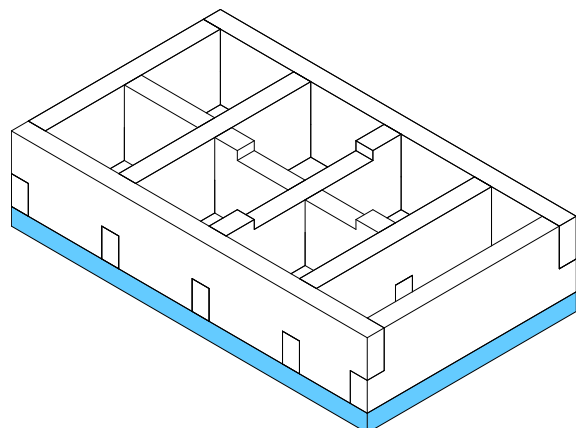
Add the two long outside parts (D), and the last remaining shorter part (E).



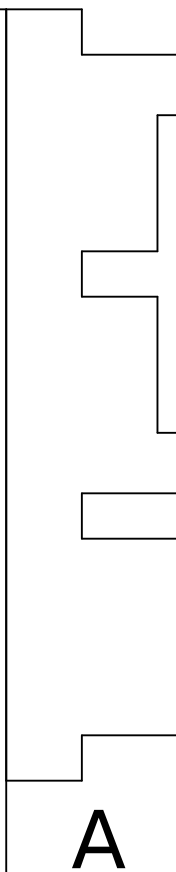
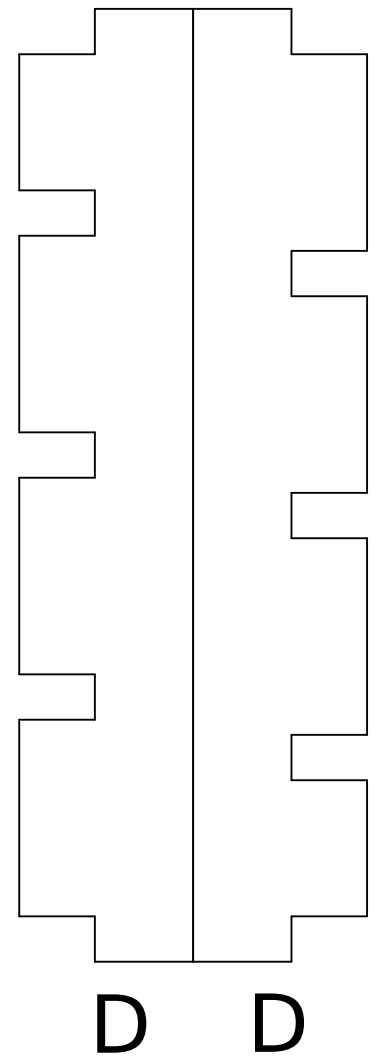
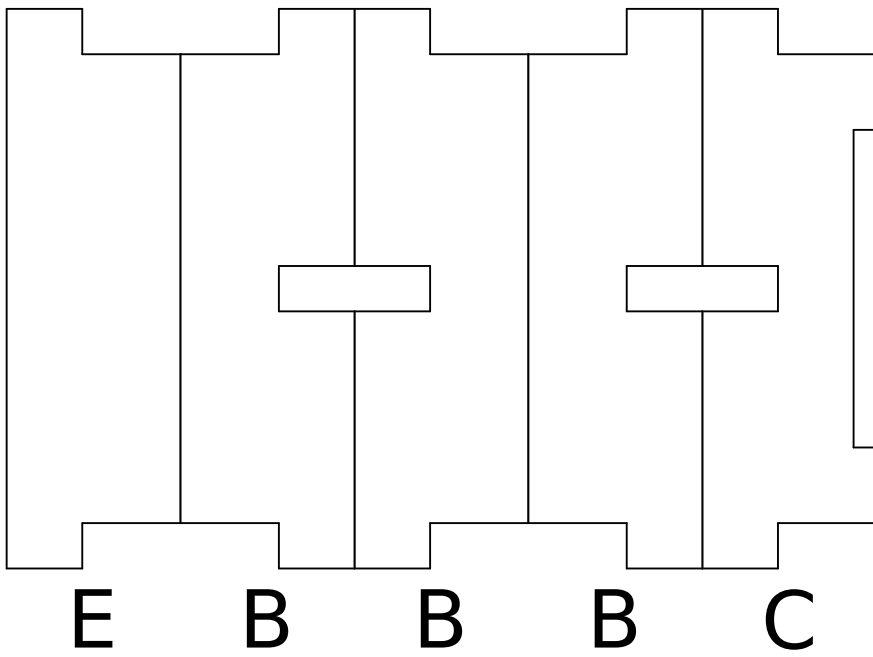
### Step 3

Add the base of the box (F).

... and you're done!



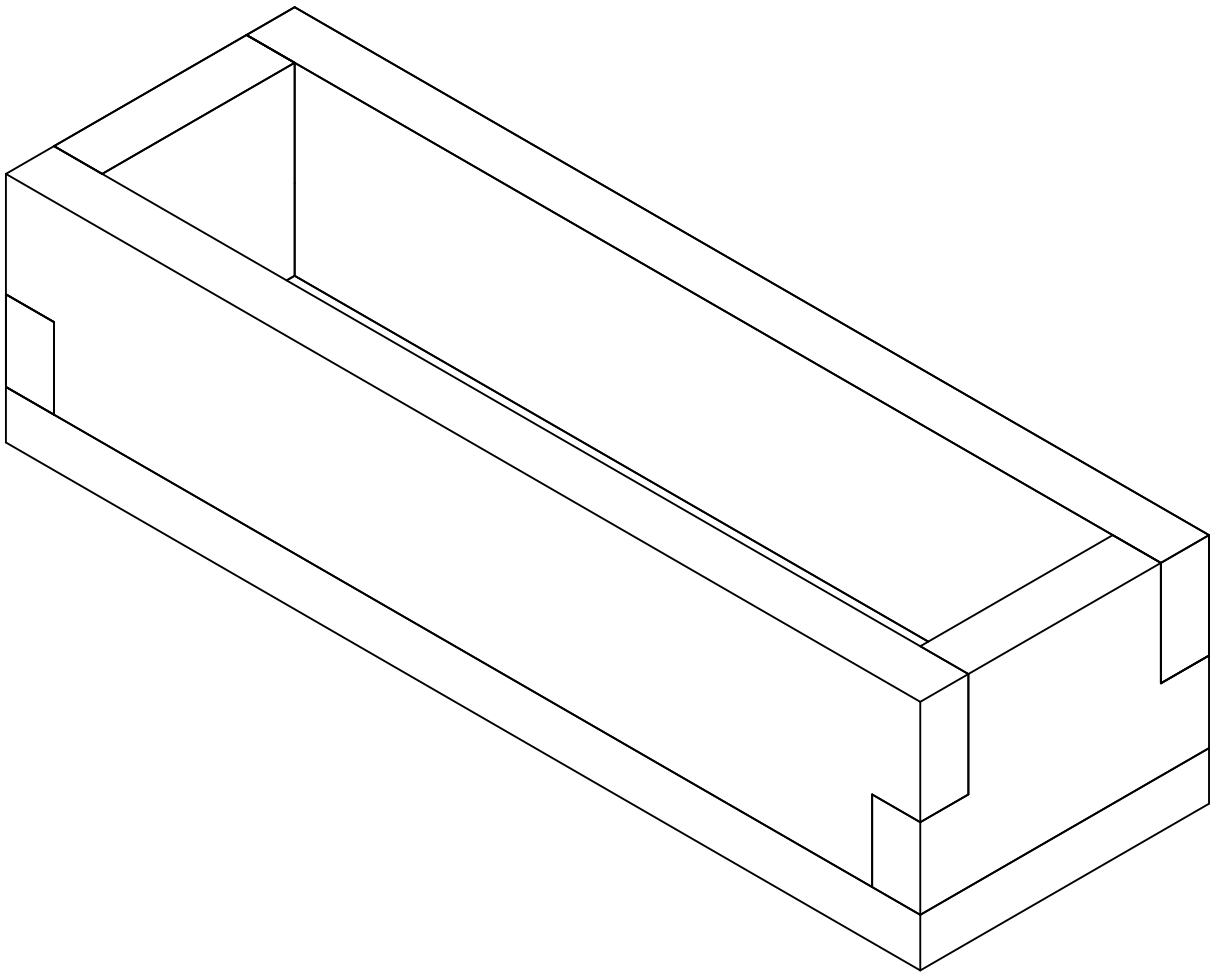
# Player tray parts



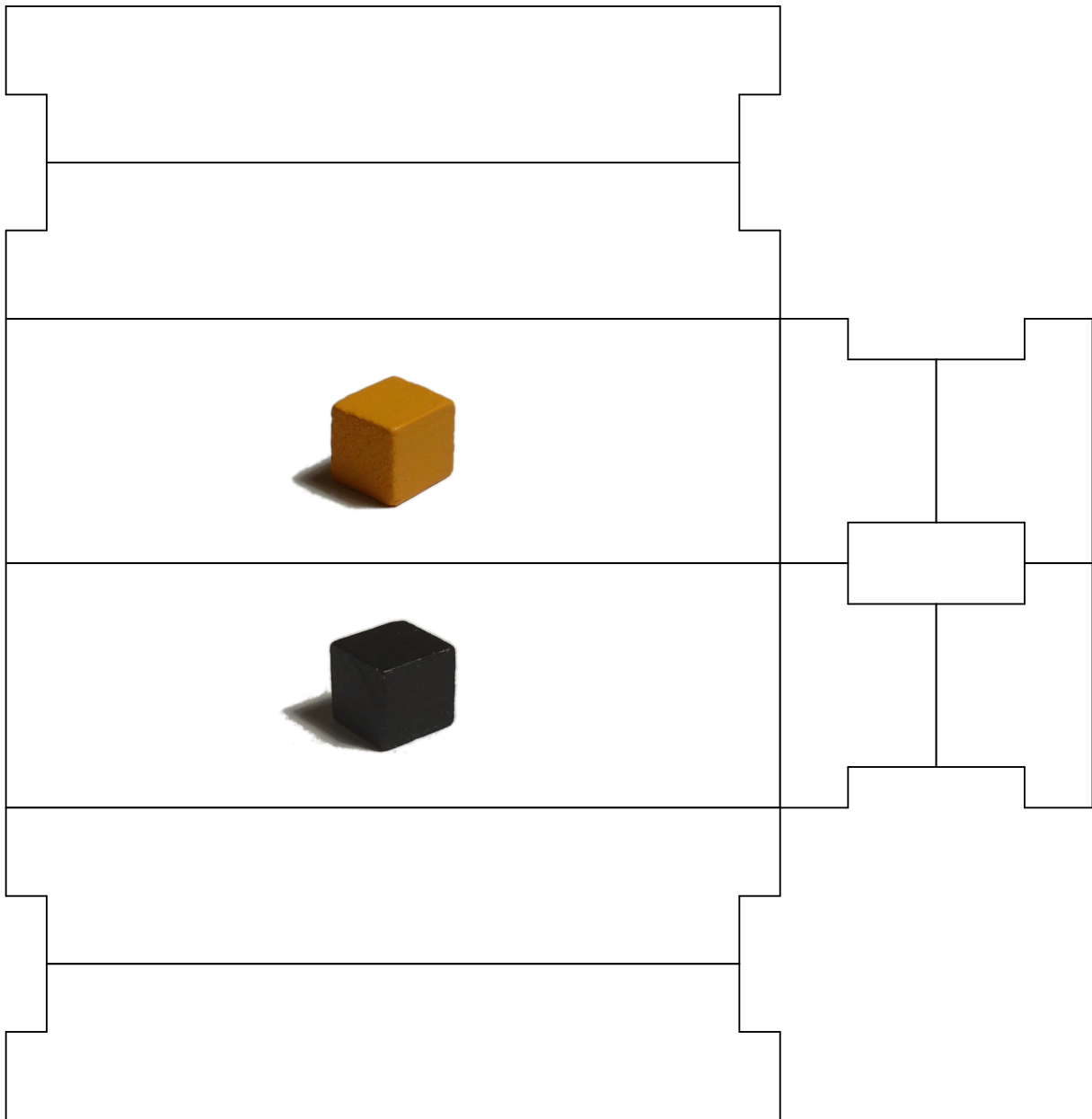
F

# Coal and iron cube trays

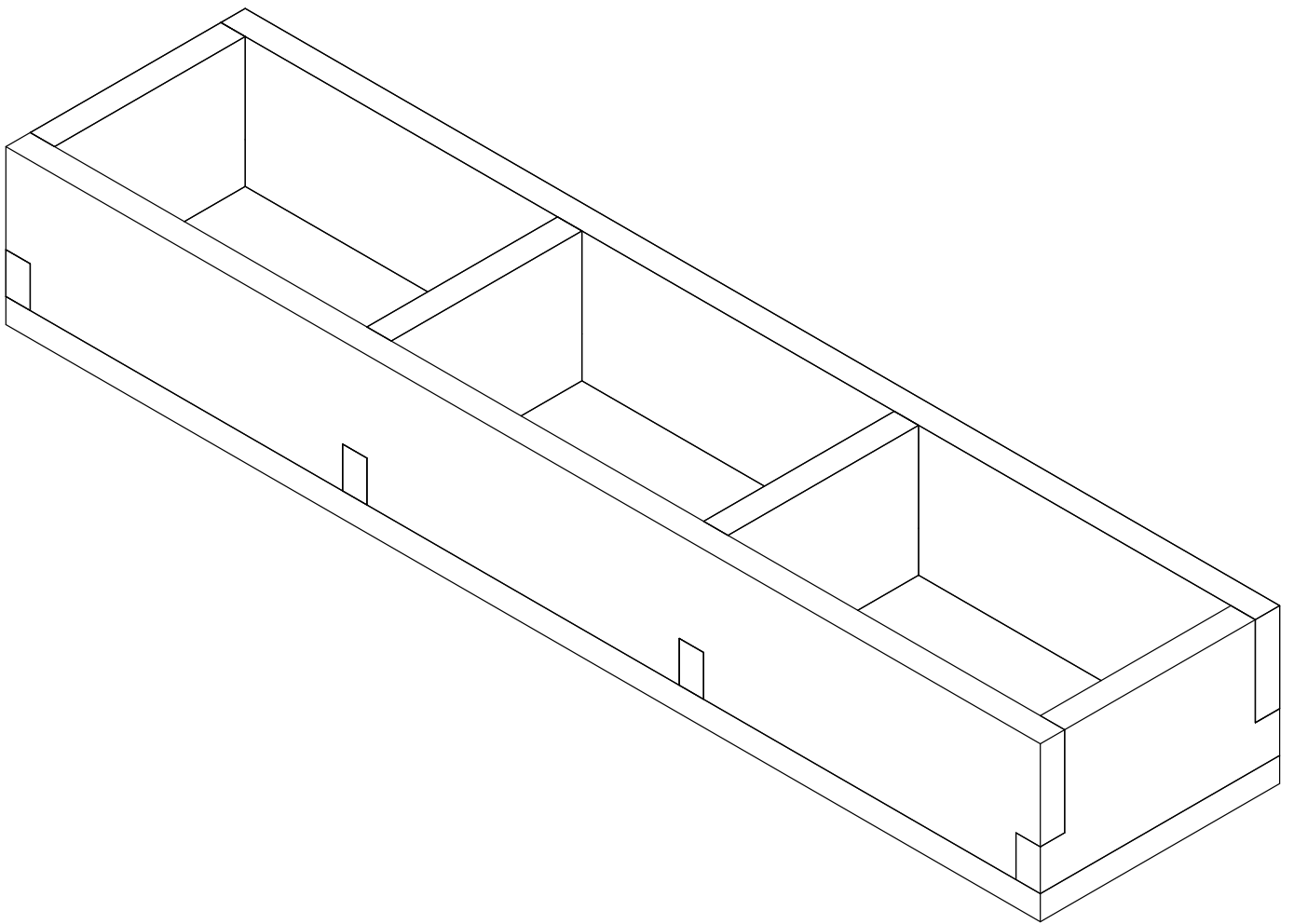
You will need two of these trays, one for coal and one for iron. So the following page has two trays worth of parts on it.



# Coal and iron tray parts

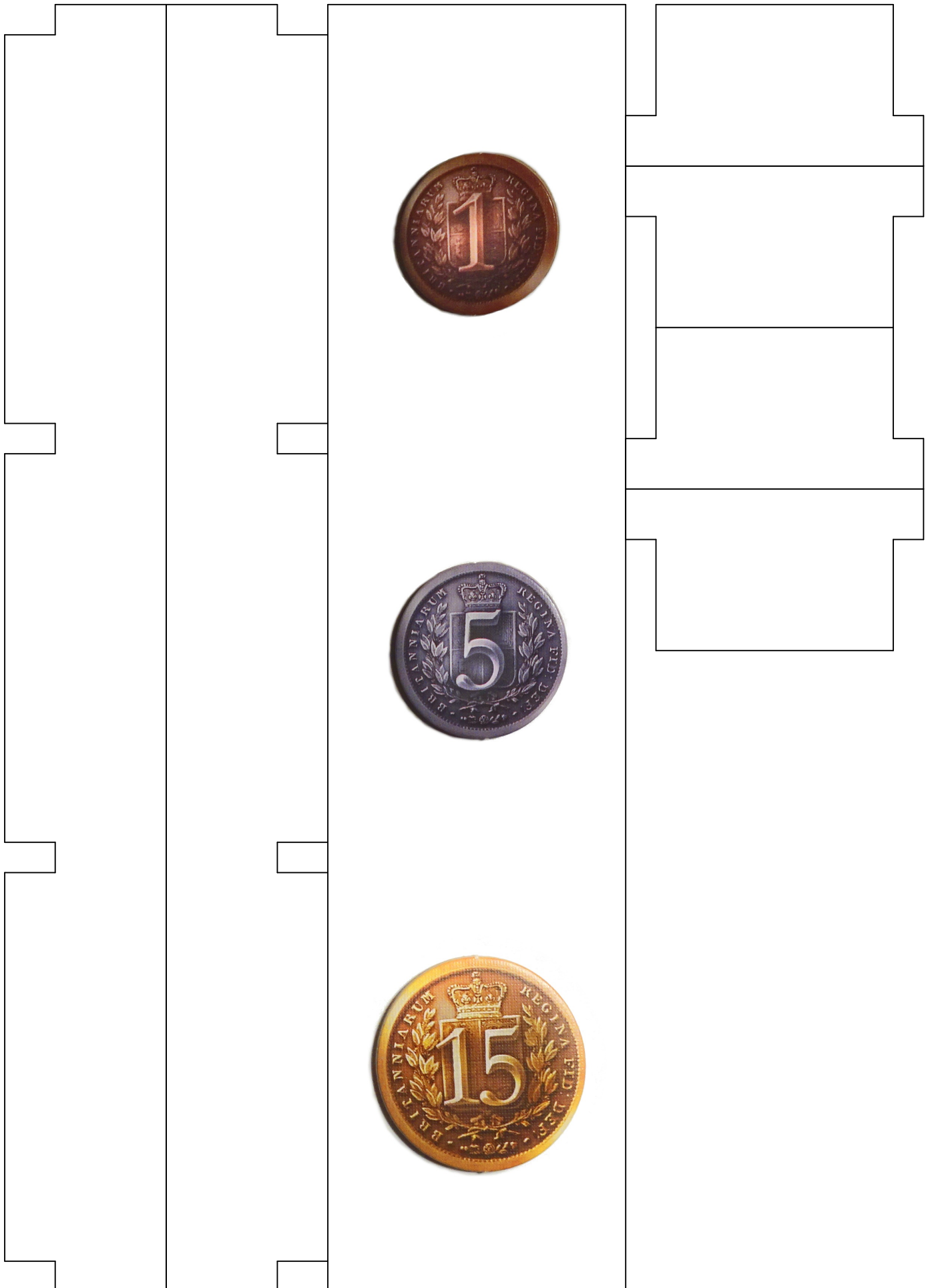


# Money tray





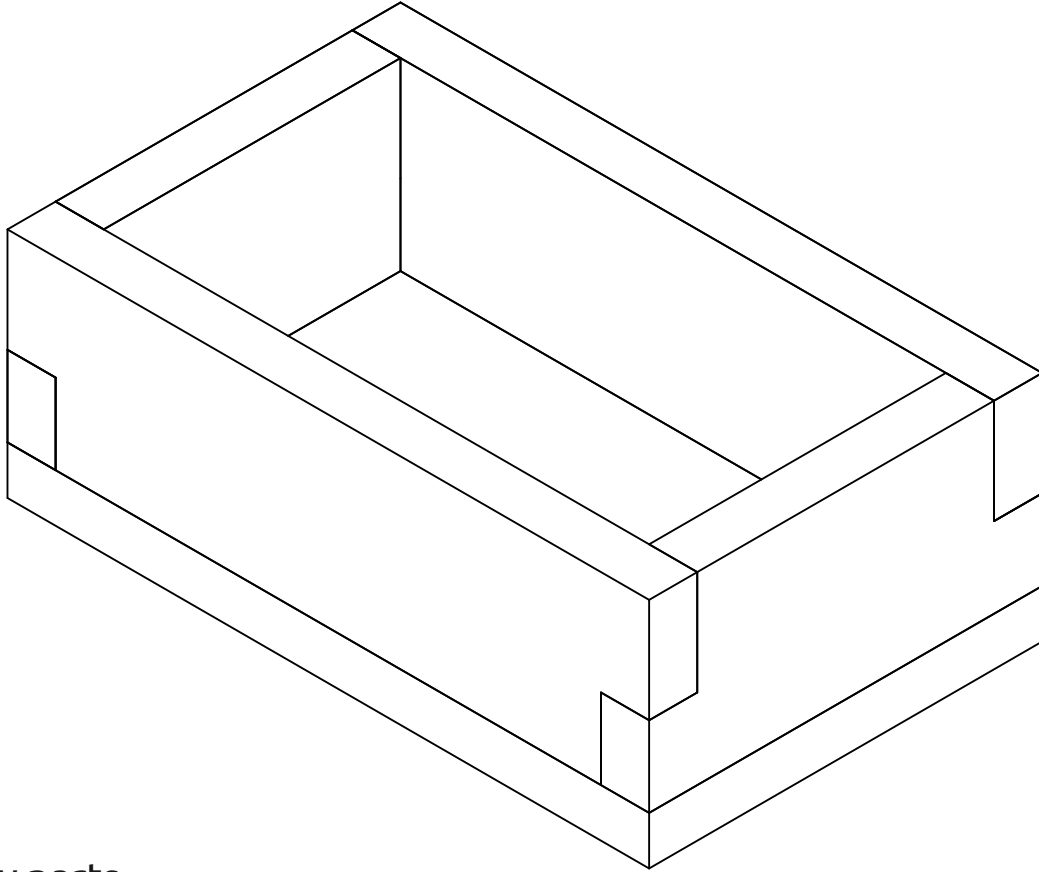
# Money tray parts



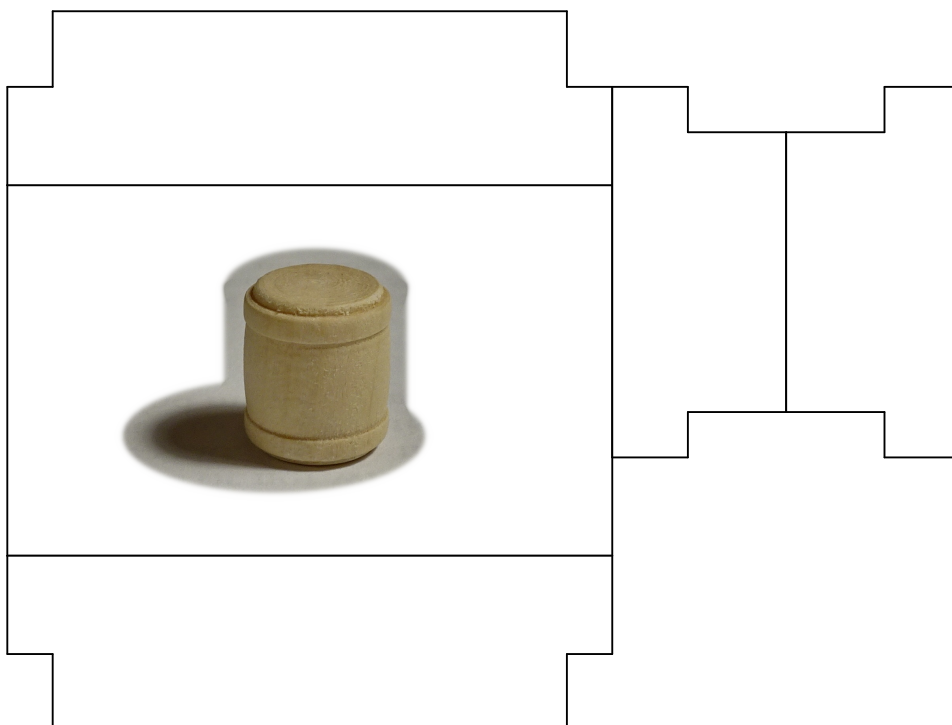
Brass: Birmingham  
Box organiser

# Beer tray

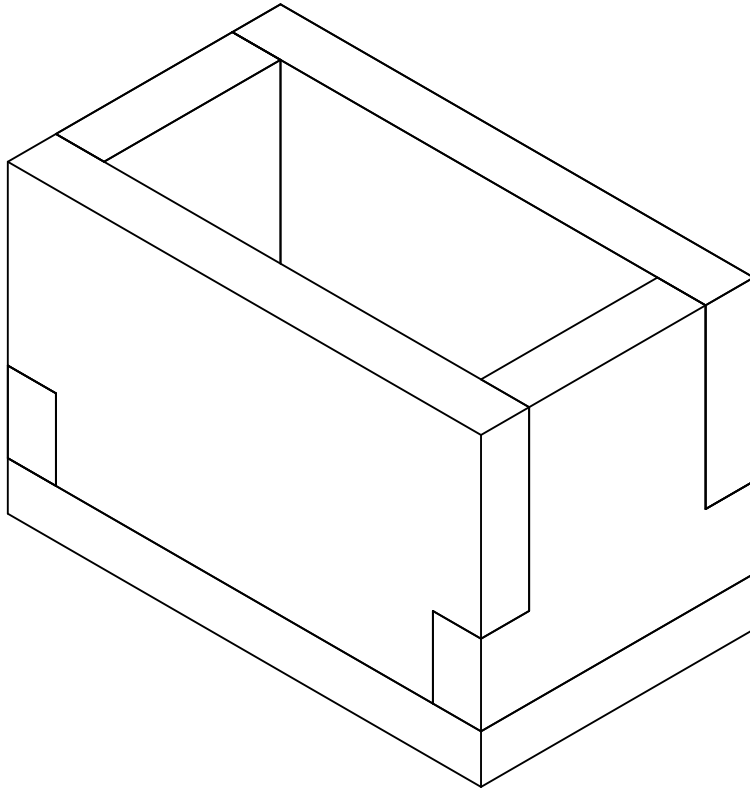
**Warning:** Don't put actual beer in this tray.



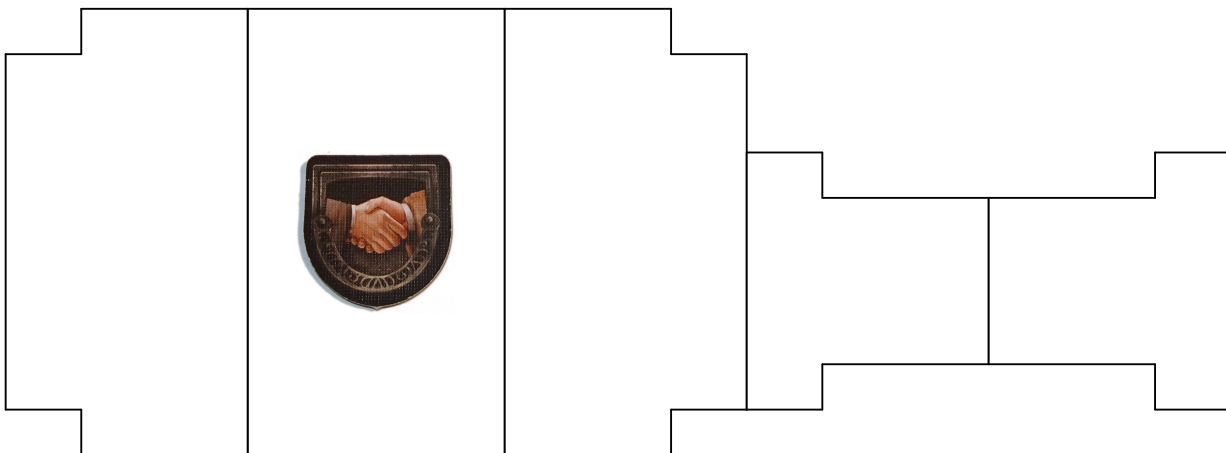
## Beer tray parts



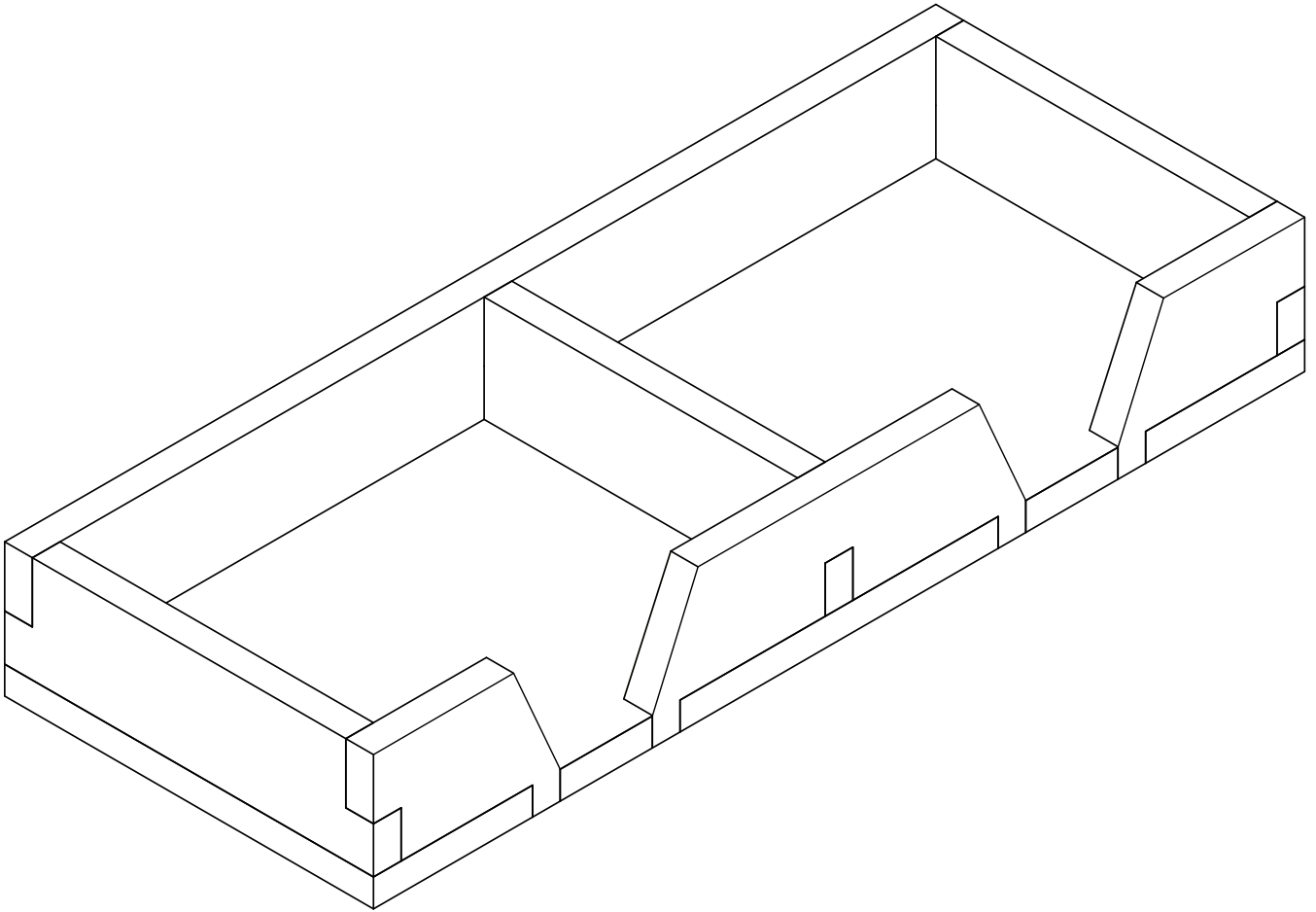
# Merchant token tray



## Merchant token tray parts



# Card tray



# Card tray parts

