

Brass: Birmingham

Box organiser plans

Designed by Gerard Ninnés

October 2020

Manual v1

Design v4

Introduction

If you hate spending ages setting up this fantastic game, then this insert might be for you. The biggest time-saver is afforded by the player caddies, but the rest of the trays will also speed up set up and tear down.

This insert houses all game components from the standard version of the game (ie: no deluxe components). It does comfortably support sleeved cards, and the box lid will still shut completely.

Each tray design comes with an optional template print that indicates what items go in what tray. You can choose to affix those templates to your tray floors to make it easier to know what goes where when it comes time to pack up.

Materials required

You will need:

- 5mm foam core.
- box cutter
- exacto knife

Because the 5mm foam core I'm using is actually 6mm (including the paper on either side of the foam) I've allowed for 6mm in all places.

Tip: For some extra flare you could find some foamcore that comes in the colours of the 4 players.

I like to design things that slot in together, rather than butting up against each other. I find it makes assembly easier, and stronger. However the slicing is a touch fiddly. This is most seen in the player caddy.

Instructions

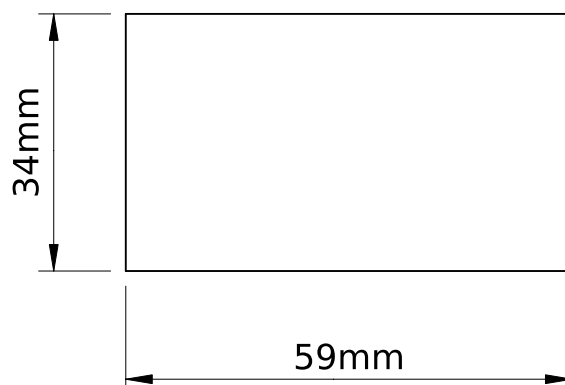
This guide is designed to be printed out, with the plans being used as cutting stencils. Do not print the plans from page 4 onwards double sided.

Using the plans as stencils only works if you have printed at 100% on A4 paper with no scaling.

To be sure you have printed with no scaling, please check the sample sizing below and measure the lines with a ruler to ensure they are the lengths indicated.

Usually the options for scaling the printout are in the print properties of your PDF software.

Sample sizing



Index of trays to construct

Player caddy x 4	page 4
Coal and iron cube trays	page 6
Money tray	page 8
Beer token tray	page 10
Merchant token tray	page 11
Card tray	page 12

Getting in touch or requesting fixes

Want to get in touch or request a fix to this document or the plans?

Would you like access to the raw files to make an adjustment yourself?

Go to my project page, and lodge an issue request, or download the raw files. All applications used to create this are free and documented on my project page.

http://gitea.gerardninn.es.id.au/Board_game_related/Insert_for_Brass_Birmingham

Alternatively, scan the QR Code below:



How to understand the plans

You'll see the plans are compressed together usually with no space between the individual parts (less so for the player caddy which is divided in to three groups of parts). This is so that you have to do fewer cuts in the foam board.

All black lines are cut-lines. All bases have a picture of the component that is to be stored in that tray or compartment.

I suggest cutting the longer lines first with a sharp box cutter, and cutting the smaller bits last with an exacto knife.

Player caddy

This is the most complex tray. For this tray I have suggested some build steps for you to follow below.

How to use this caddy

This caddy will contain all the player's game tokens, and has a recessed area for the player token that shows the character you're playing as. It is intended that each industry group will be stacked in reverse order with the black-side facing up.

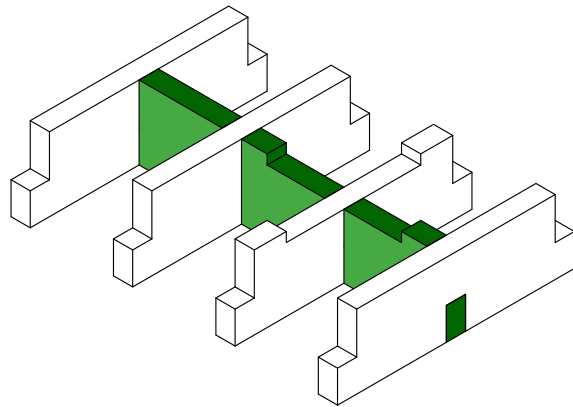
To set up a player board, first remove the character token, then cover the caddy with with your player board, flip the caddy and player board over, then remove the caddy to reveal 6 stacks ready to deploy on your player board.

Construction steps

Step 1

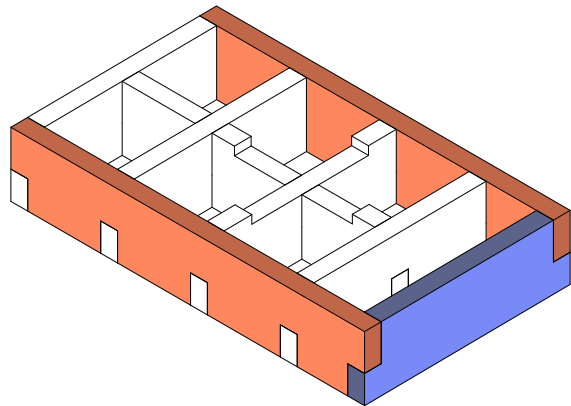
Take the long divider (A) (shaded in the diagram), and glue in place all the shorter parts (B and C) that have a small notch in the wider side.

Note one of the shorter parts (C) has the character token depression in it. Look at diagram to see correct placement.



Step 2

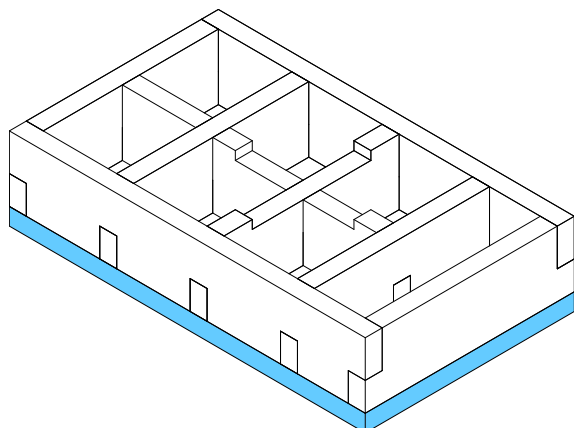
Add the two long outside parts (D), and the last remaining shorter part (E).



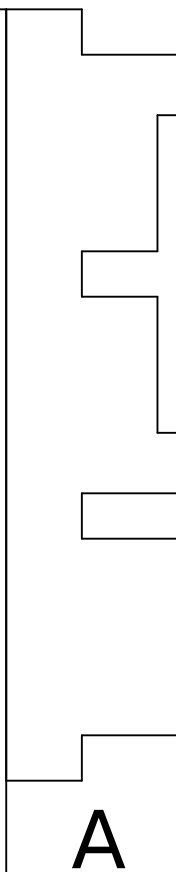
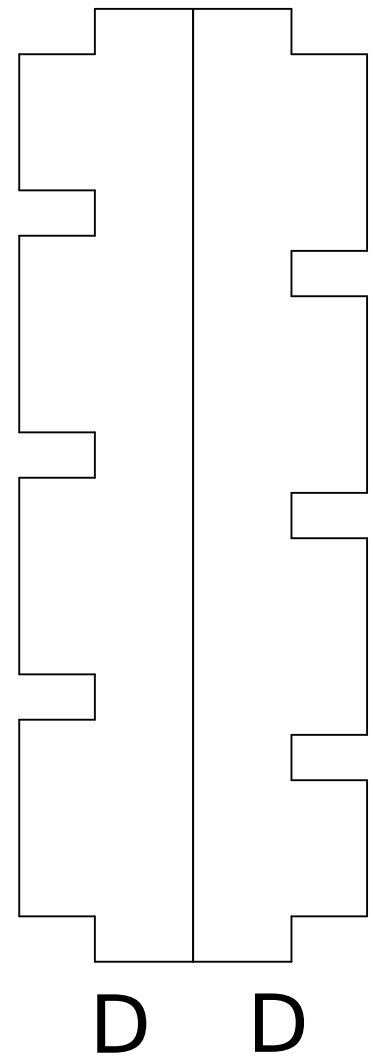
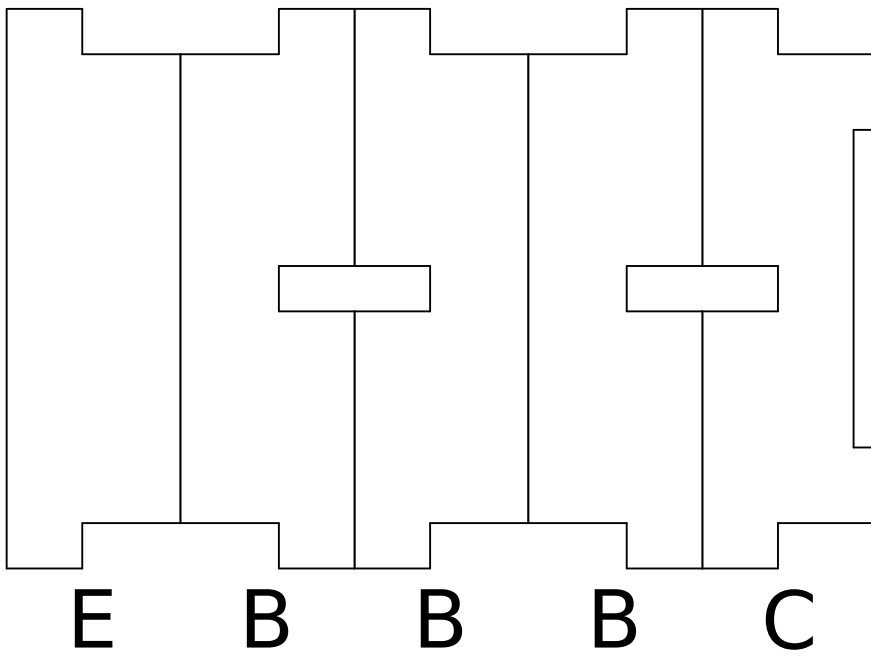
Step 3

Add the base of the box (F).

... and you're done!



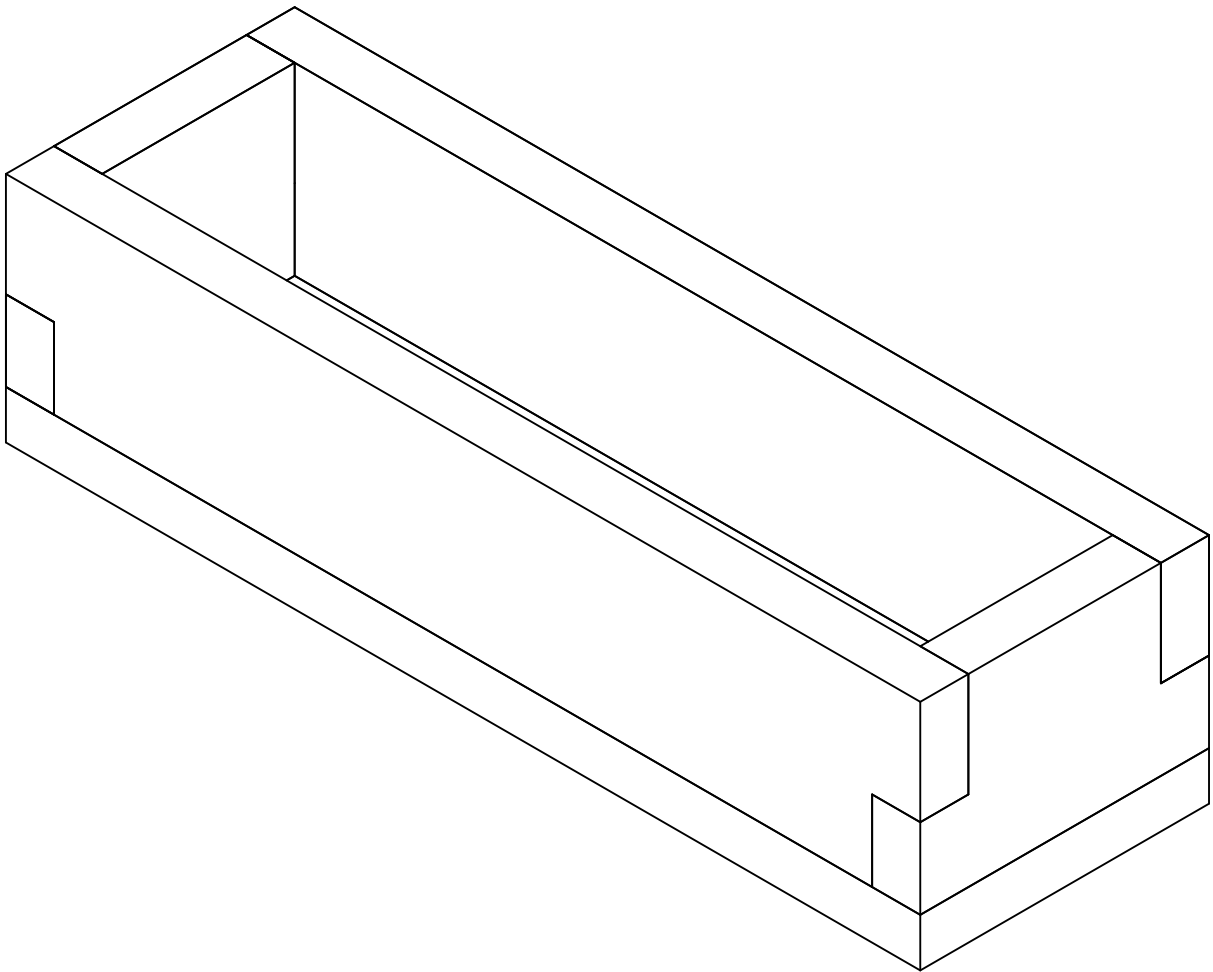
Player tray parts



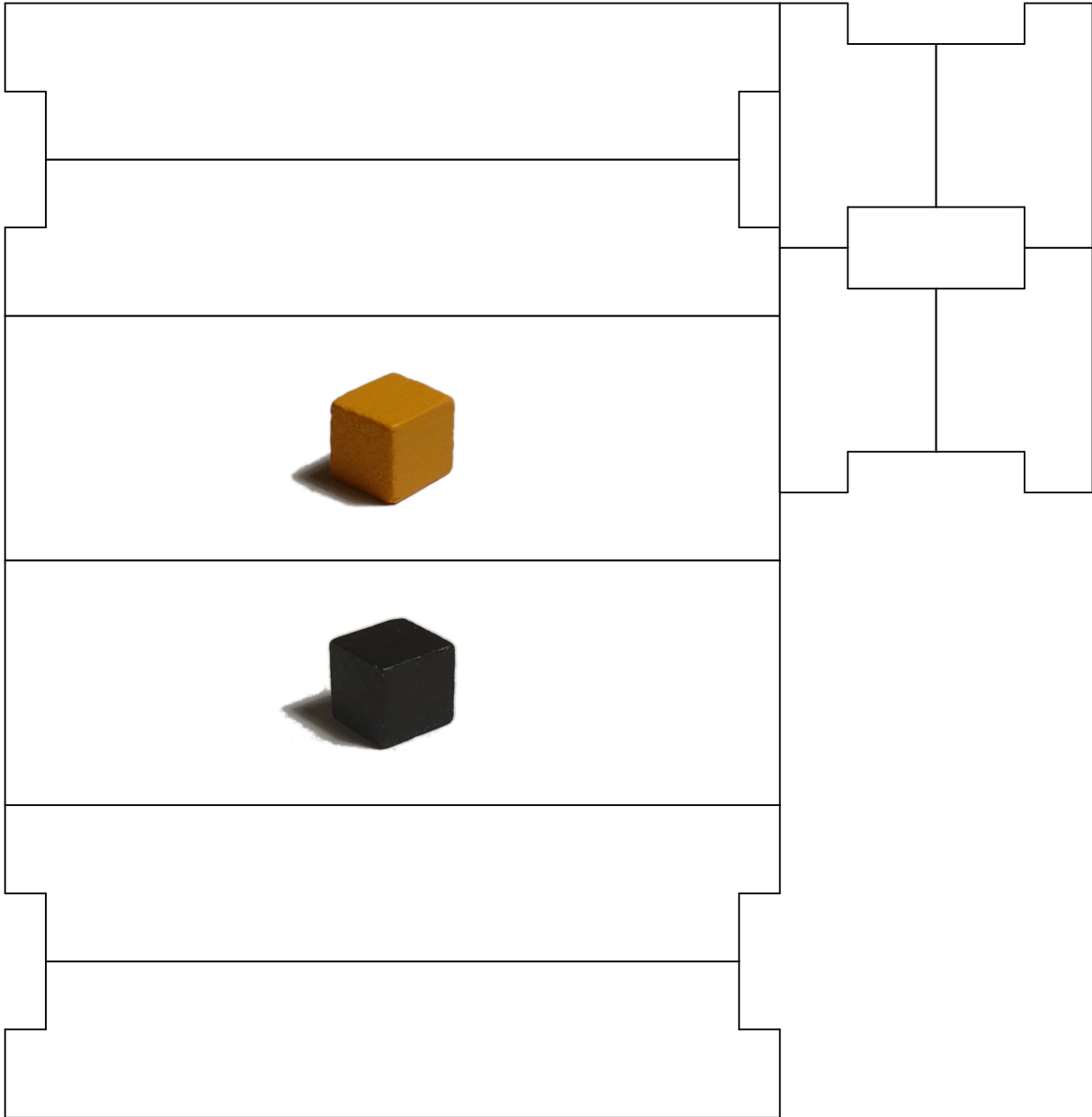
F

Coal and iron cube trays

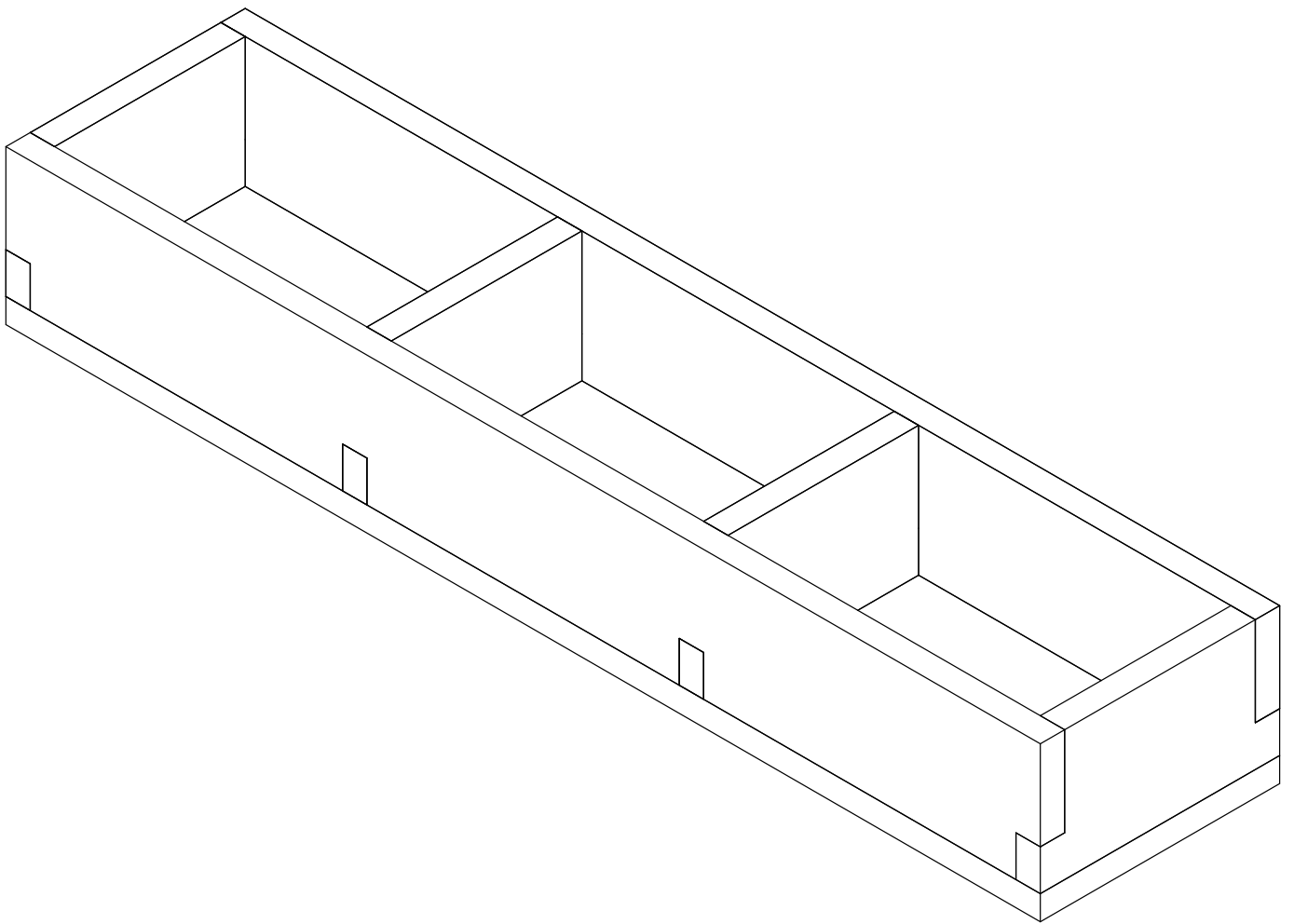
You will need two of these trays, one for coal and one for iron. So the following page has two trays worth of parts on it.



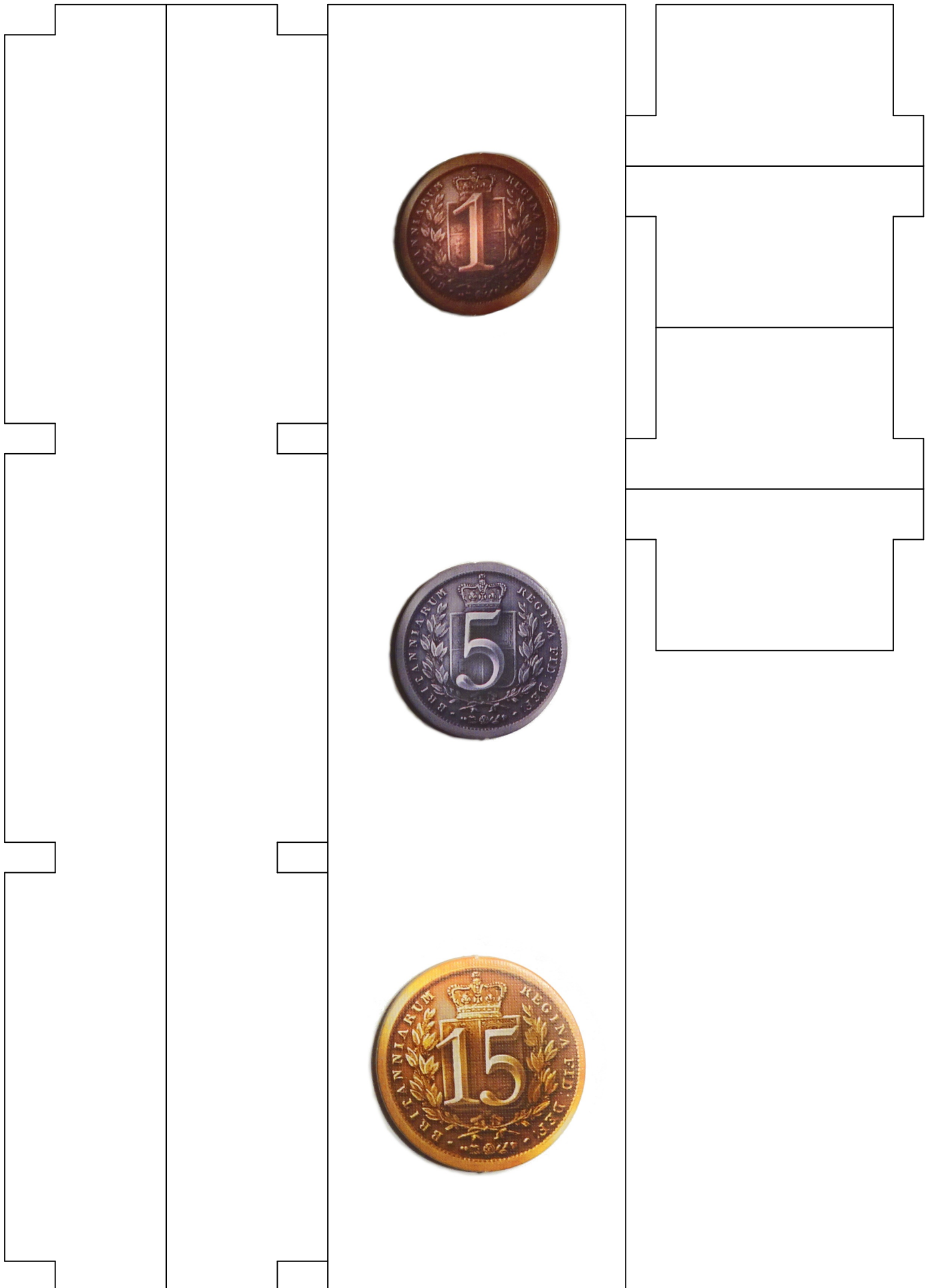
Coal and iron tray parts



Money tray



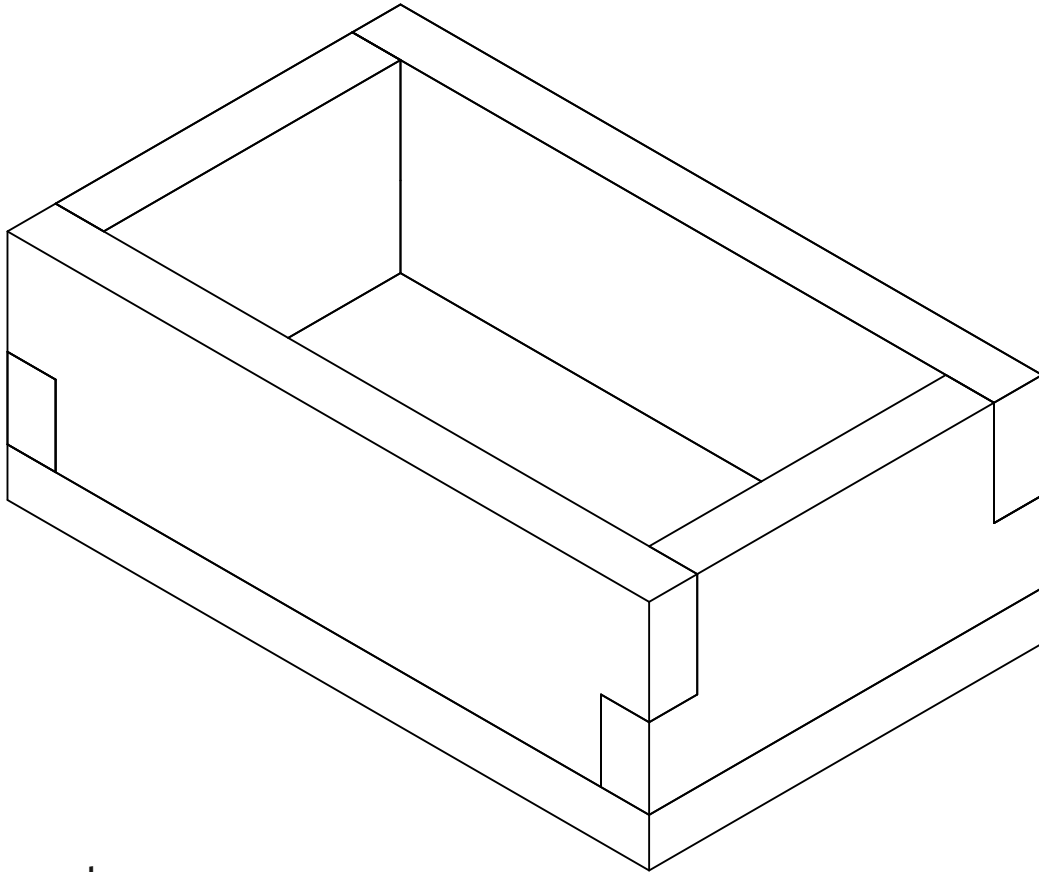
Money tray parts



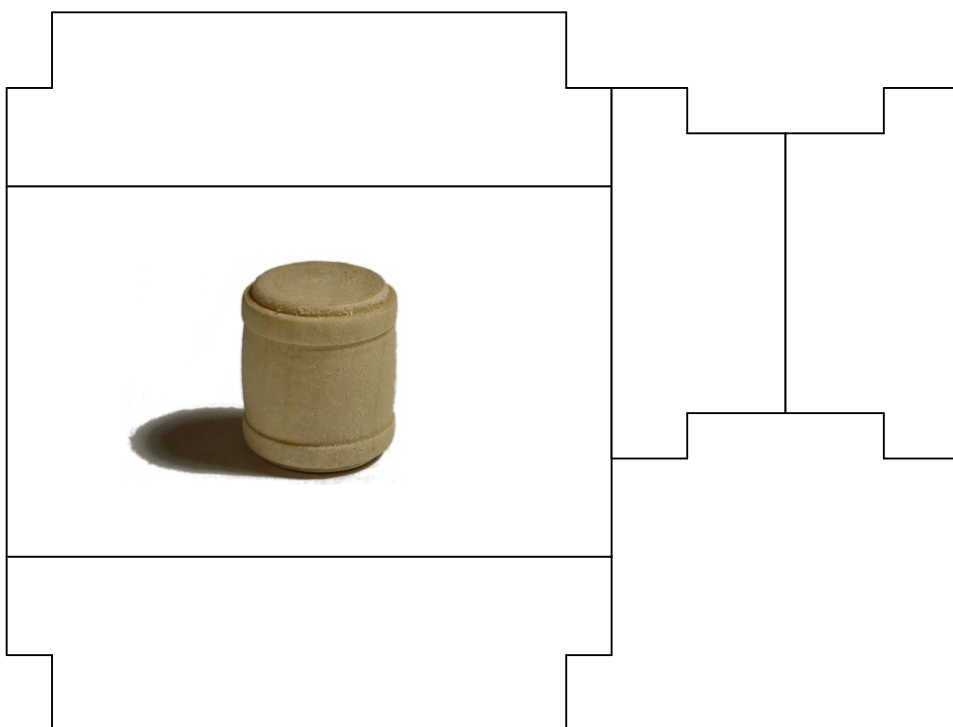
Brass: Birmingham
Box organiser

Beer tray

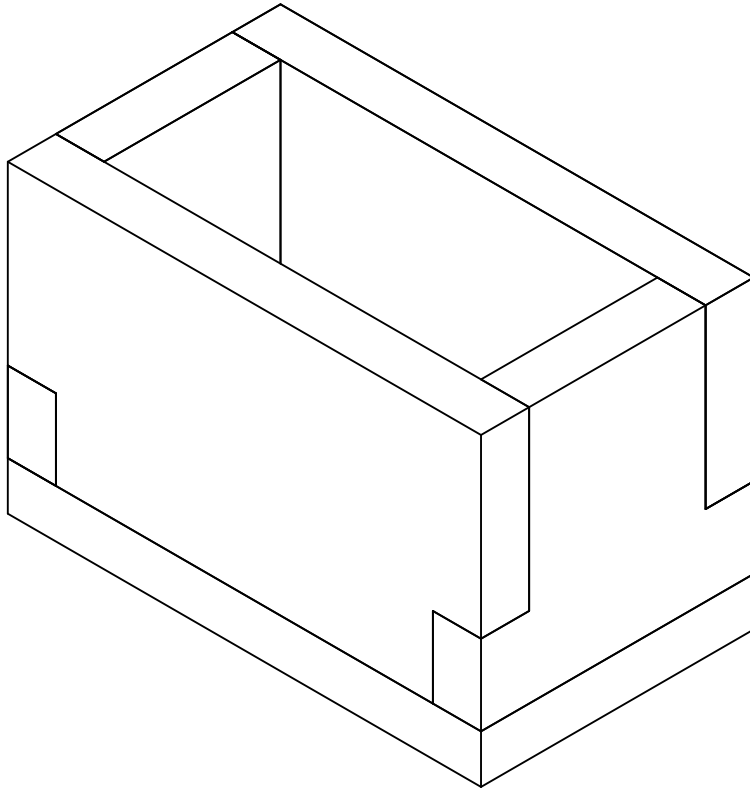
Warning: Don't put actual beer in this tray.



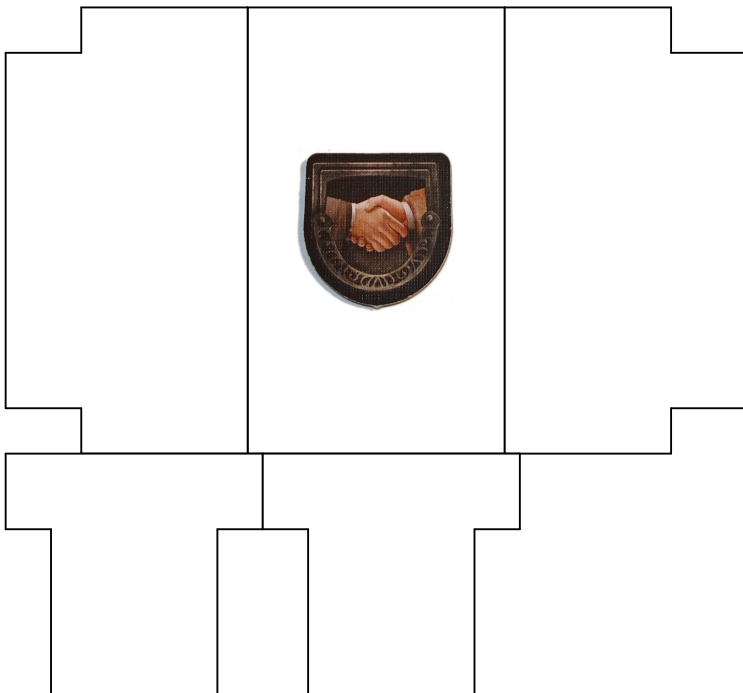
Beer tray parts



Merchant token tray



Merchant token tray parts



Card tray

